



CABINET LIGHTING

ADJUSTABLE
CONCEALED SERIES



CLASSIC LEVEL

Adjustable Concealed Shelf Lighting

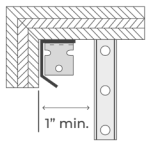
Phantom™ Classic AC Series light strips are designed for fully adjustable shelf and cabinet linear lighting applications and represent a breakthrough in strip lighting technology due to proprietary wiring methods. Just imagine having the ability to freely move your lighted shelves without the need for tools or rewiring! These low profile cabinet lights are easily concealed regardless of the shelf design, giving new definition to the phrase, "See the Light, Not the Fixture."

Custom mounting trims establish the optimum aiming angle which allows the contents of any cabinet to be illuminated to a precise degree at the highest level of aesthetics yet to be seen. Our light strips, which feature individual festoon sockets, are precut to any desired length to be custom fitted to movable shelves. There are no visible wires and shelf positions can be changed without any rewiring whatsoever. Strips are dimmable using a magnetic low voltage dimmer and produce a quality of consistent color and lumen output unmatched by competing products.

PHANTOM CLASSIC AC SERIES FEATURES

- Low profile, concealed linear lighting source designed for adjustable shelf lighting or adjustable display applications
- Current carrying concealed custom shelf supports, with no unsightly exposed wiring or connectors
- An ideal solution for new shelving projects where support pins and drilled holes are preferred over standard exposed metal shelf supports
- Paint grip galvanized metal trim with unique glare shields specifically designed for horizontal shelves or display lighting applications
- Multiple trim shapes available for custom applications or for use above eye-level
- LED and Xenon festoon lamping options (12V or 24V)
- ETL Listed, Miscellaneous fixtures, conforms to UL STD, 1598

Classic AC Series Exploded View



SPACE REQUIREMENT

For best results, a wood reveal should be used to conceal the fixture. For applications above eye level use trim #4 & extend wood trim as necessary. Allow 1" clearance between light fixture and holes.

LIGHTING STRIP

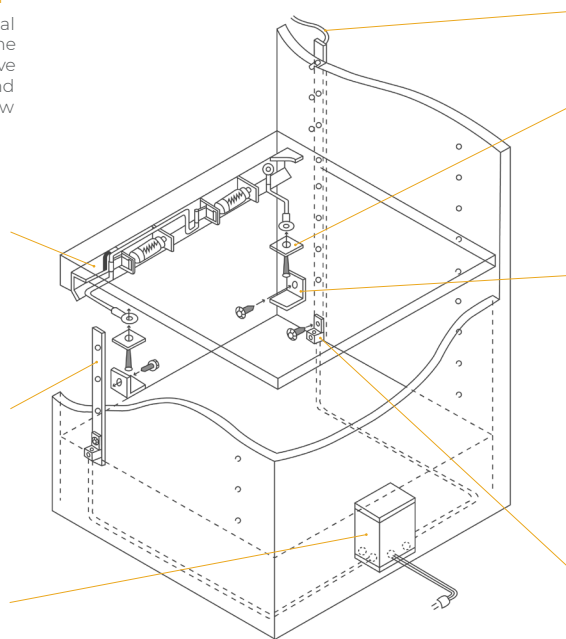
Each lighting strip may contain one or more festoon lamps with spacing 4, 6, or 8 inches on center. For best results, always use a matte finish on the back of the cabinet to minimize reflections or glare.

BUSS BAR SUPPORTS (5/8" W X 1/4" D)

Heavy duty steel buss bars are concealed during construction and engineered to perfectly align with 8 x 32 threaded holes drilled 32 mm on center. This system totally hides all the wiring and allows you to use the drilled pin method of shelf support. Consult the factory for other spacing options.

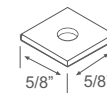
TRANSFORMER

Magnetic transformers are sized to match the total wattage of your lighting load and come equipped with one or more secondary circuit breakers. (See driver sheet for more sizing information and amperage calculations).



TOP HEADER LEAD WIRES (PAIR)

Always use the header kit to avoid exposed wires.



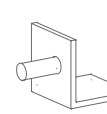
BRASS CONTACT PADS

Brass contact pads are designed to transfer electricity from the shelf support clip to the individual fixtures utilizing a safe low voltage current. Contact is made when the shelf is installed. No tools are required to rearrange the shelves!



BRASS SUPPORT CLIPS

Brass support clips are designed to transfer electricity from the concealed buss bar to the brass contact pad mounted on the bottom of the shelves utilizing a safe low voltage current.



BACK OFFSET SHELF SUPPORT (BY OTHERS)

Standard right angle offset supports (1/4" or 3/16" pins) must be used to achieve a level shelf.

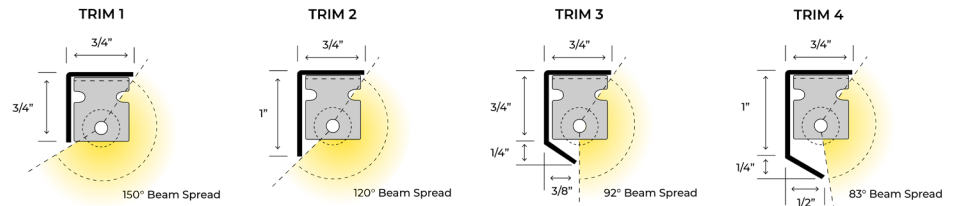
LUG CONNECTORS

Heavy duty lug connectors are used to connect the wire to the metal buss bars back to the power supply. These connections must remain accessible for service and maintenance. Orientation of lugs is dependent on your particular application.

Classic AC Series

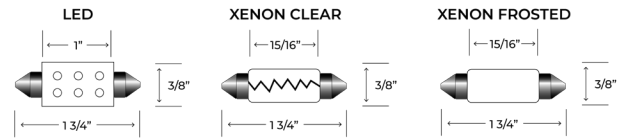
Trim Profiles

Phantom offers a variety of trim profiles to suit any lighting application. Choose your trim profile based on your mounting application and the level of glare desired.



Classic AC Series Lamps

Xenon festoon lamps are available in 3 watt, 5 watt, and 10 watt, in both 12VAC and 24VAC. Xenon lamps (2,800°K) typically produce a whiter light and are used for display lighting. Average life for a Xenon festoon lamp is 20,000 hours. LED festoon lamps are available in a 0.6 watt, 12VAC or 24 VAC models in several popular color temperatures. LED festoon lamps produce very little forward throw heat, no UV rays, and have an average lamp life of 50,000 hours. LED festoon lamps are perfect for retrofit applications or new projects that require a bright, efficient light source in hard to reach areas.



LED Kelvin Colors

2700 K 3500 K 5000 K

Xenon Kelvin Colors

2800K Clear 2800K Frost

Classic AC Series Transformers

TRANSFORMER SPECIFICATIONS

	20W	40W	60W	100W	150W	250W	500W
120/12VAC	MT20-12	MT40-12	MT60-12	MT100-12	MT150-12	MT250-12	MT500-12
120/24VAC	MT20-24	MT40-24	MT60-24	MT100-24	MT150-24	MT250-24	MT500-24
Max Wattage*	16	32	48	80	120	200	400
12V Breaker	Auto Reset	Auto Reset	Auto Reset	Auto Reset	Auto Reset	(1) 25A Push	(2) 25A Push
24V Breaker	Auto Reset	Auto Reset	Auto Reset	Auto Reset	Auto Reset	(1) 10A Push	(1) 25A Push
Height (H)	5.60"	5.60"	6.55"	6.55"	9.80"	6.75"	8.25"
Width (W)	2.10"	2.10"	2.55"	2.55"	3.00"	4.875"	5.62"
Depth (D)	2.10"	2.10"	2.55"	2.55"	3.00"	4.62"	5.25"
Weight (lbs)	2	2	3	7	7	13	19

*These numbers reflect the 20% safety factor that is recommended to avoid overload or nuisance tripping when selecting a transformer. (Wattage x 1.20)

To calculate amperage, divide total wattage by secondary voltage (Wattage/Voltage = Amperage).
To calculate wattage, divide amperage by secondary voltage (Amperage/Voltage = Wattage)

Phantom Classic Lighting Strips - Ordering Matrix
Sample Order Number: **AC-1-4-0.6-12-27-AD-12-FW-24**



US ETL LISTED, MISCELLANEOUS FIXTURES, CONFORMS TO UL STD, 1598

MODEL	TRIM PROFILE	LAMP SPACING	LAMP WATTAGE	OPERATING VOLTAGE	LAMP TYPE	LEAD TYPE	LEAD LENGTH	TRIM COLOR	TRIM LENGTH
AC	1	4	0.6	12	27	AD	12"	FW	24"
AC	1	4"	0.6 - LED	12	27 - 2700K LED	AD - Adjustable Leads	12"	FW - Flat White	Inches
	2	6"		24	35 - 3500K LED			GW - Gloss White	
	3	CS - Custom Spacing	3 - Xenon		50 - 5000K LED			FB - Flat Black	Specify Your Trim Length In Inches
	4		5 - Xenon		XFR - Frost Xenon			GB - Gloss Black	
			10 - Xenon		XCL - Clear Xenon			LB - Light Beige	
								MB - Medium Brown	
								LA - Light Almond	
								UF - Unfinished	
								CC - Custom Color*	

*Contact factory for details